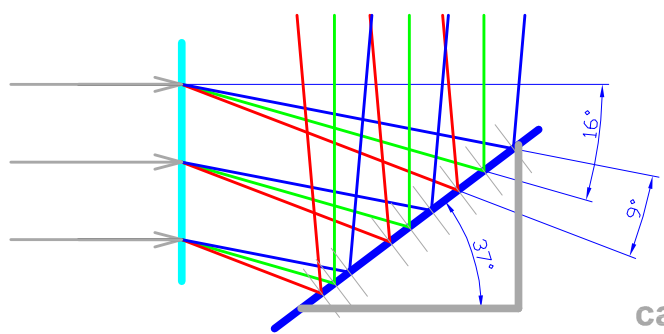


1 2 3 4 5 6 7 8

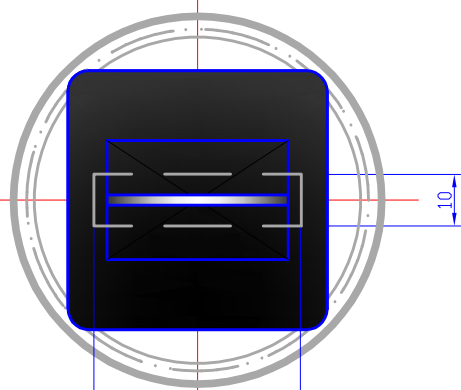
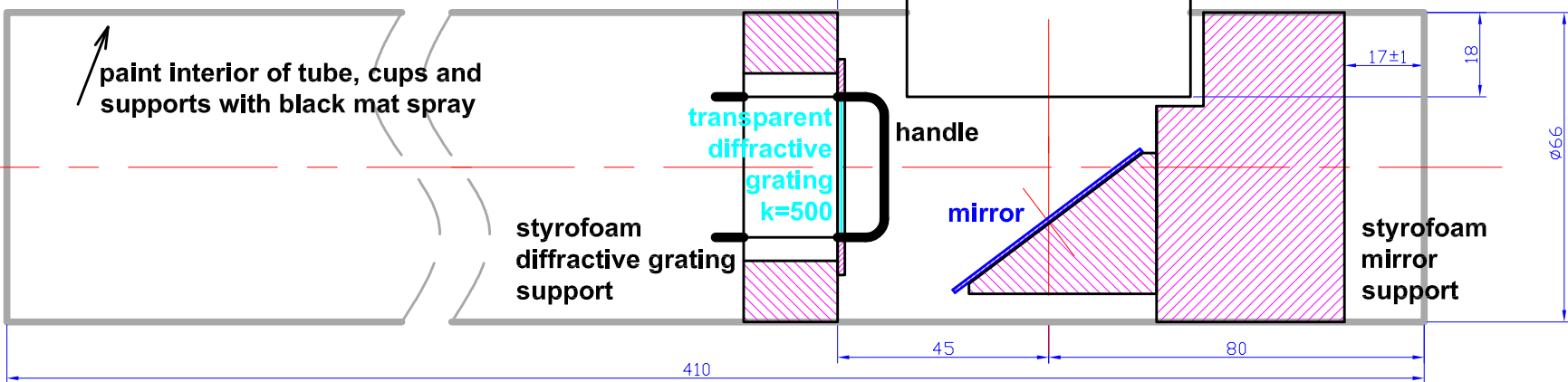
Material:	Carton tube, styrofoam, diffractive grating, mirror, slide frames, styrofoam glue, black mat spray.
Finish:	Paint interior of tube, cups, mirror and grating support with black mat spray.



eye or camera

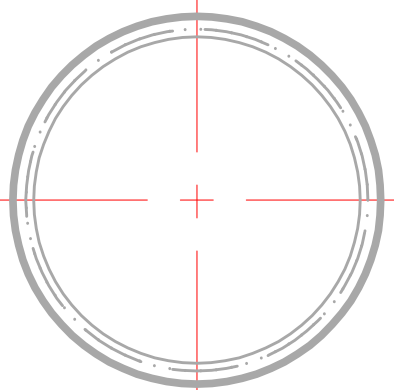
∅60,4

Canon  
Conversion Lens Adapter  
**LA-DC58K**  
for  
**PowerShot G10**



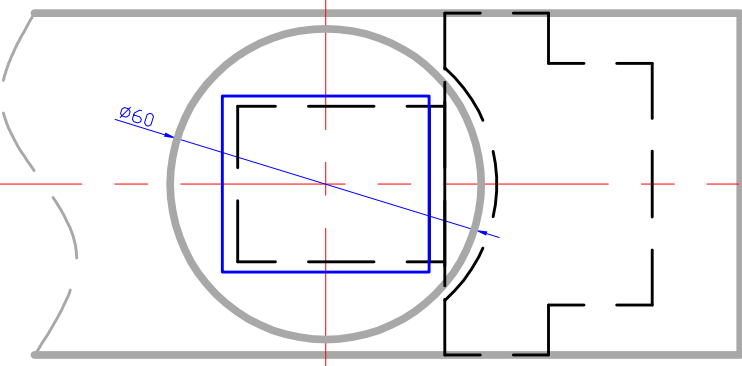
front cup with  
interchangeable  
slit slide frames

front view



rear cup

rear view



Remarks: Center spectrum image moving diffractive grating. Orient slit in parallel to diffractive grating lines to achieve the sharpest spectrum.

Design:	Checkout:	Approval:	Date:	Number of pieces per product:	Scale:
Adam W. Kamela	Adam W. Kamela	Adam W. Kamela	27-07-2014	1	1:1

**Adam Wiktor Kamela**  
[www.kamela.org](http://www.kamela.org)

Part name:	Spectroscope - assembly version TRANS k=500
Part number:	none

Sheet:	1 / 1	Edition:	01
--------	-------	----------	----

F

F

1 2 3 4 5 6 7 8